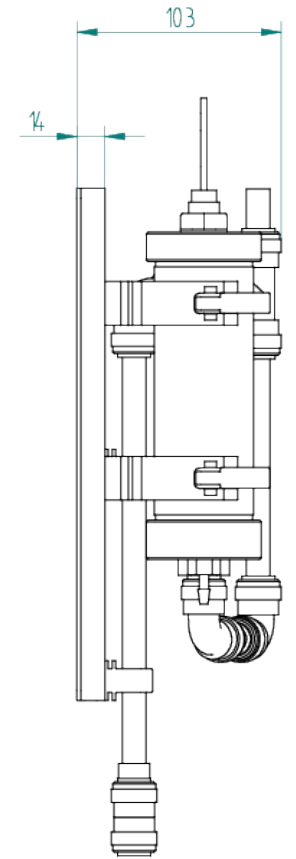
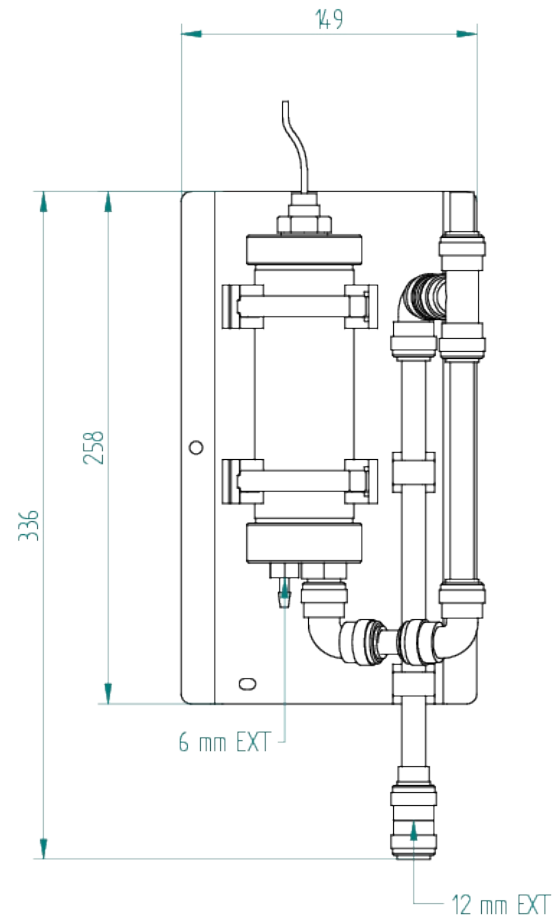


EXTERNAL FAST LOOP RESERVOIR CODE 3S-ER



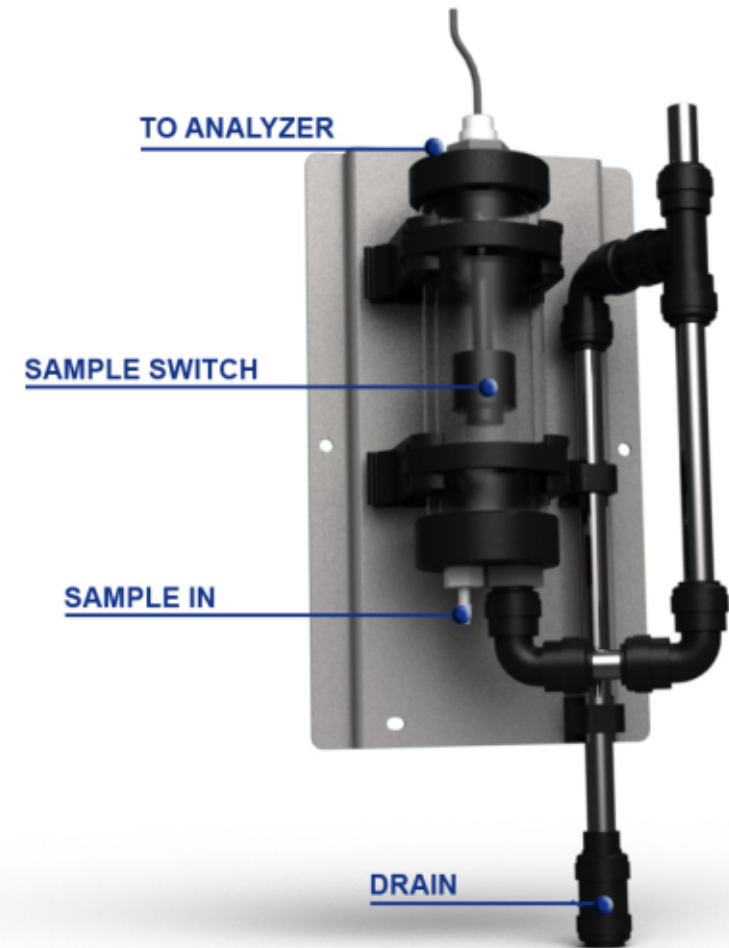
The external reservoir allows to have a fast circulation of the sample coming from the sampling point or from the optional filtration unit.

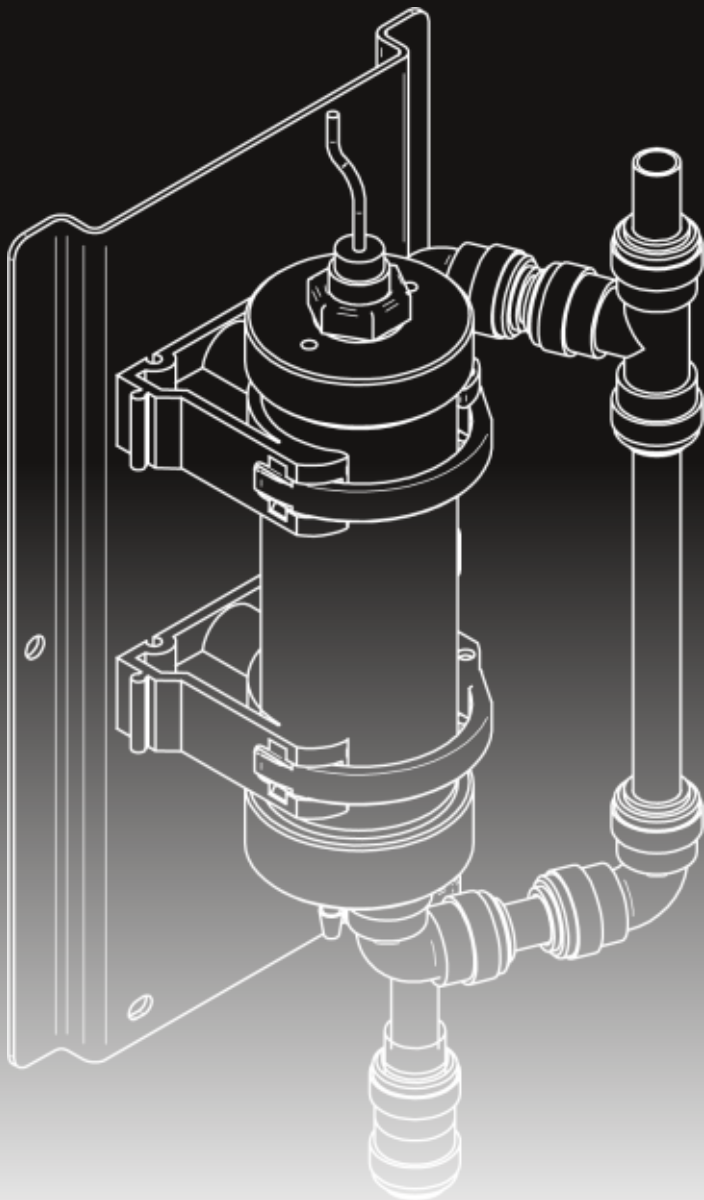
Inside the fast-loop reservoir the sample is at atmospheric pressure and this allows the sample pump to work in proper way with constant delivery and no overpressure.

In addition to this, the fast-loop reservoir is a useful extra quantity of sample to avoid wrong alarms in case of short loss of sample as well as to eliminate air bubbles from sample coming the sample line or caused by the cleaning cycle of the optional filtration unit.

The stainless steel drain tubing keeps a constant water level inside the container and allows a proper sample circulation to avoid suspended solids accumulation.

The sample flow should be adjusted to have the complete sample overflow through the stainless steel tube.





Hydraulic connections:

- Sample inlet: 6 mm ext
- Outlet: 12 mm ext

Volume: approx 300 cc

Inlet flow: 100-500 ml/min

Including mounting plate for wall mounting

Materials:

- PVC
- Acetalic resin
- Plexiglass
- EPDM
- PPS
- Stainless Steel

Dimensions including mounting plate: 155 x 320 x 110 mm