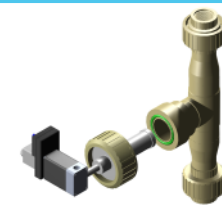
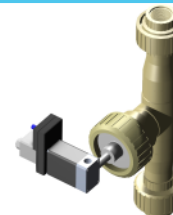
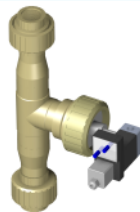
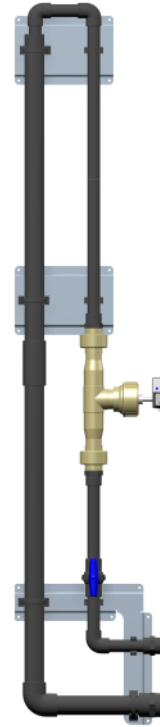
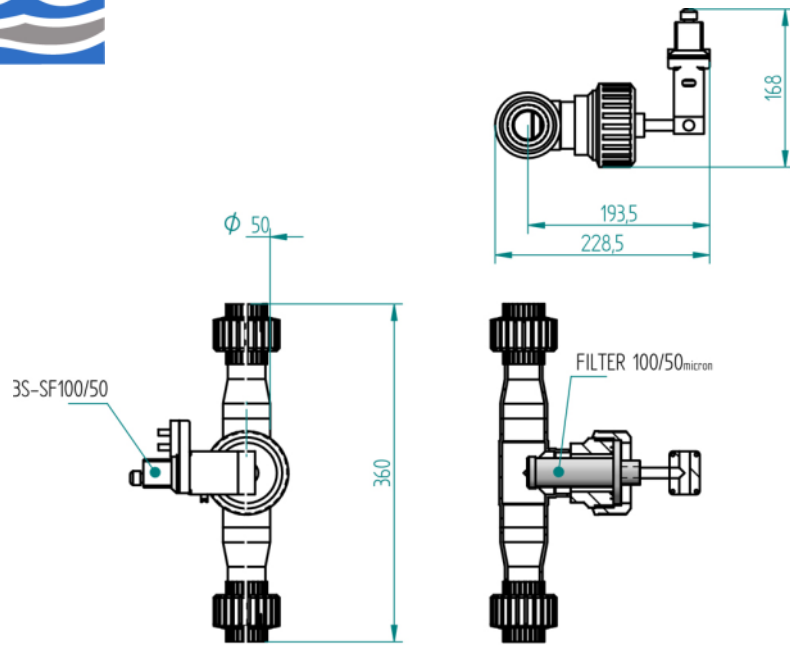


# Filtration unit model 3S-SF100 & 3S-SF50



The self cleaning filter **SF-100** protects the connected ON-LINE analyzer by filtering floating particles from water samples. It is a self-cleaning filter that periodically uses compressed air to clean the filtering element.

As the main quantity of the sample stream goes through the polypropylene or stainless steel filter body very fast, only the sample quantity necessary for the analysis is filtered by the stainless steel filtering element.

This avoids a fast dirt accumulation on the filter element.

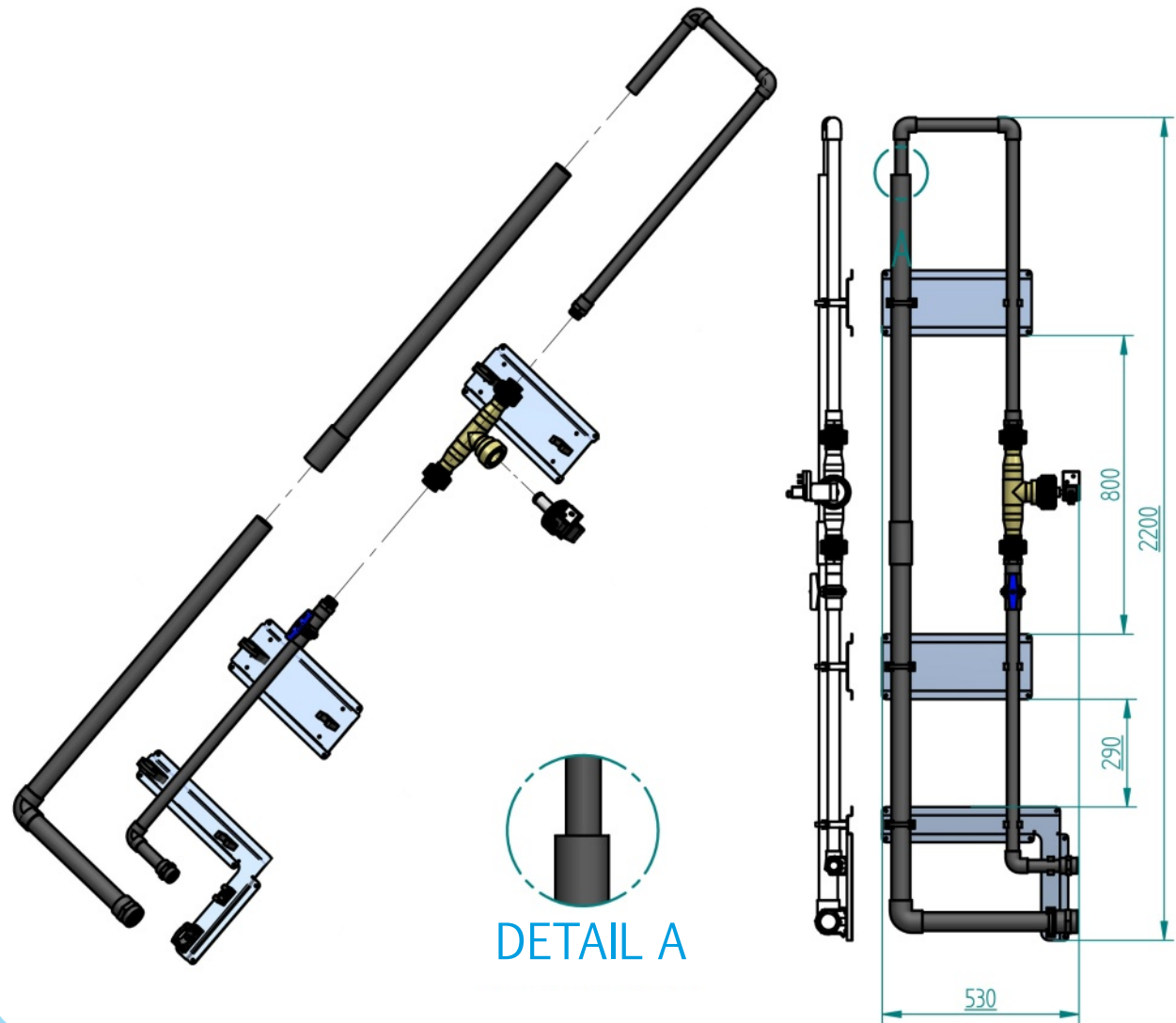
Additionally, the filter assembly is equipped with an electronic timer that periodically changes the N.O. to sample flow position of the three-way operating valve and forces compressed air to be blown backwards through the filtering element.

This backflush removes powerfully the particles trapped on the external side of the filtering element.

The automatic cleaning time and cleaning frequency are user's settable in a wide range.

**Power supply:** 220 Vac – 110 Vac (option)

**Filter's connections to the process:** 1" NPT



## Specifications

Filter body	PP (polypropilene)
Filter element	Inox AISI 316
Filter Mesh	50 - 100 micron (Others upon request)
Sample & ambient temperature	> 5 – 55 °C
Protection grade	IP 65
Minimum Sample line pressure	0,3 Bar
Maximum Sample line pressure	2,5 Bar
Minimum Sample line flowrate	0,1 mc/h
Pressurized air pressure	At least 20% above sample line pressure up to 3 Bar
Sample out flowrate	0,1 - 2 lt/min depending on sample line pressure
Filter main connections	1"
Filter outlet connection – cleaning air	6 mm O.D. tubing
Filter outlet connection – sample outlet	6 mm O.D. tubing
Solenoid Valve wet part	Inox AISI 16 - Buna
Power supply requirements	220-240 Vac (optional 110 Vac)
Power supply consumption	8 VA
Clean interval period	1-45 min. (selectable)
Blow back period	1-30 sec. (selectable)
Weight	1 kg

**3S ANALYZERS** S.r.l.  
 Via Molino Nuovo 12 16036 Avegno (Ge)  
 Tel. +39 0185 799024 Fax. +39 0185 799207  
[www.3s-analyzers.eu](http://www.3s-analyzers.eu) [info@3s-analyzers.eu](mailto:info@3s-analyzers.eu)