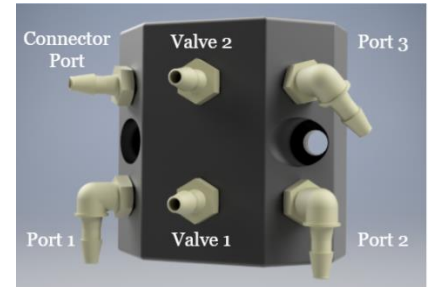
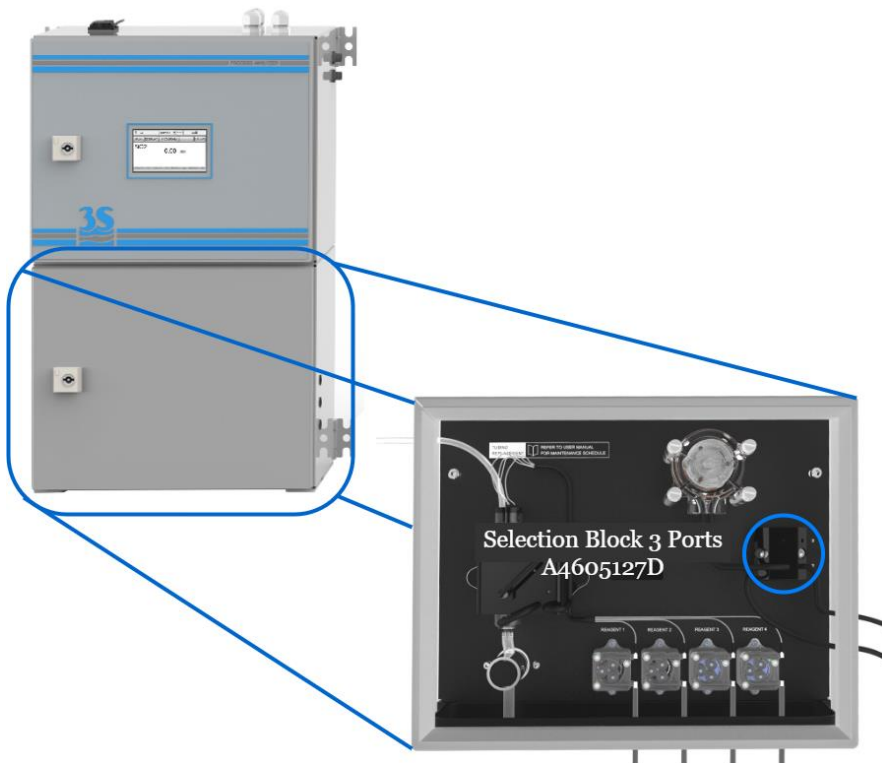


SELECTION BLOCK (3 PORTS) – Part No. A4605127D

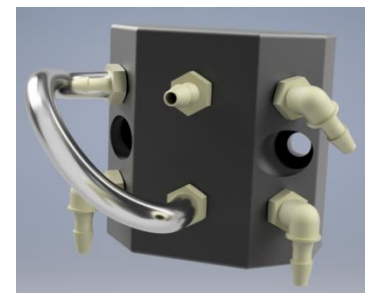
Selection Block with 3 Ports and 2 Valves used in Colorimetric Analyzers

DESCRIPTION:

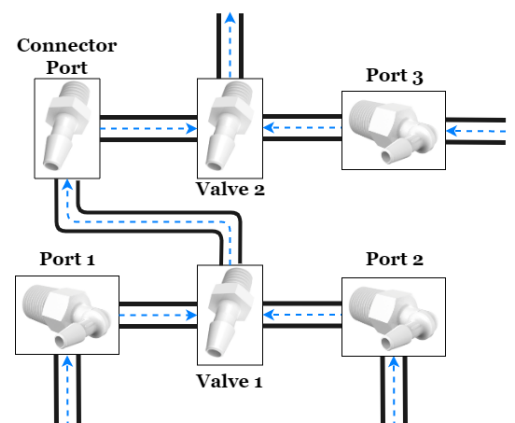
The Selection Block with 3 Ports and 2 Valves is a replacement/spare part for the colorimetric analyzers. This item is positioned on the right side of the hydraulic section as shown below. The Selection Block with 3 Ports and 2 Valves allows for three different liquids to be configured. The three liquids can be configured as: (Sample 1 + Sample 2 + Dilution Water), (Sample 1 + Sample 2 + Standard), or (Sample 1 + Sample 2 + Cleaning Solution). The Dilution Water, Standard and Cleaning Solution will be configured onto Port 3. The Selection Block consists of 2 valves, (3) Thread Barb Elbows and (3) Thread Barb Adapters as shown to the right.



Selection Block with
3 Ports and 2 Valves
P/N A4605127D



Selection Block with tubing from
Valve 1 to the Connector Port



Selection Block Schematic
illustrating the fluid flow