

TOUCHSCREEN WITH USB – Part No. A4605300USB

Touchscreen with USB used in Colorimetric Analyzers

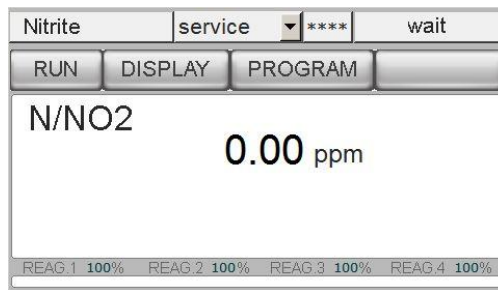
DESCRIPTION:

The Touchscreen with USB is a replacement/spare part for the colorimetric analyzers. This item is located on the front, top panel of the analyzer enclosure as shown below.

All input/output data, information, alarms and fault conditions are shown on the display. All commands and settings may be transferred to the analyzer by simply pressing the touch screen.



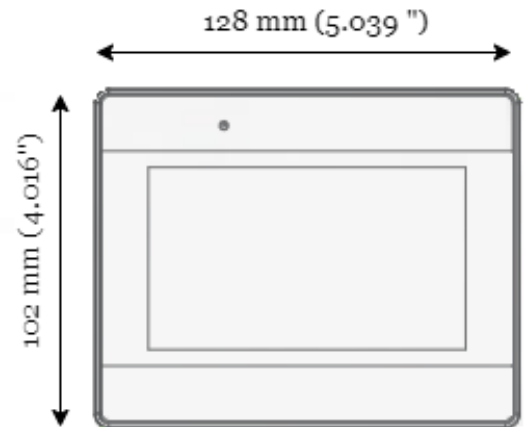
Touchscreen with USB
P/N A4605300USB



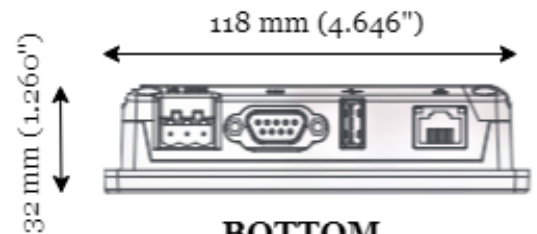
Touchscreen User Interface



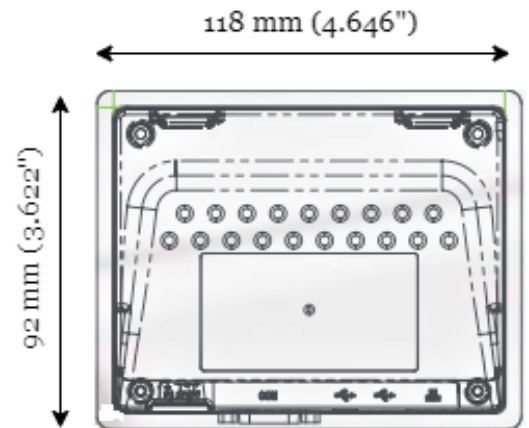
Bottom View of the
Touchscreen with USB



FRONT



BOTTOM



REAR