

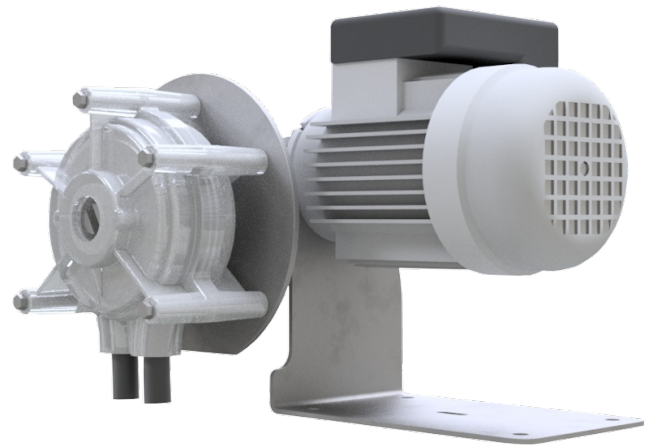
Sampling Pump

DESCRIPTION

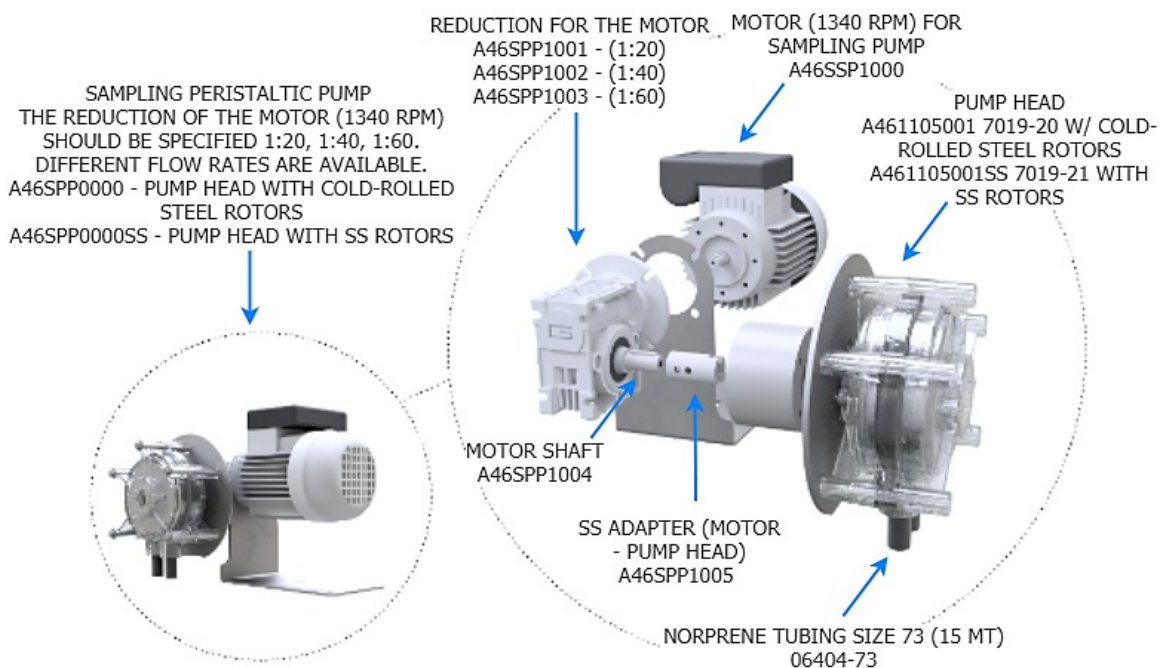
The Peristaltic Sampling Pump is a single channel pump used to move the sample to a filtration unit or directly to the Fast Loop Reservoir attached to the analyzer. The entire set comes with the Pump Motor, Reduction Gear Box, and the Pump Head.

The Pump Motor has a fixed pumping rate of 1340 rpm. The Reduction Gear Box allows for the reduction of this pumping rate at different ratios (exact ratios noted below). The Pump Head housing is polycarbonate, while there are two options for the Rotor Material (Cold Rolled Steel or Stainless Steel*). A plate for wall mounting is included.


**Stainless steel is used in applications where the environment is corrosive.*



EXPLODED VIEW



TECHNICAL SPECIFICATIONS

Power Supply	Customer must specify 110 VAC, 220 VAC or 24 VDC
Motor Speed	1340 rpm
Tube material	Norprene tubing
Pump Head Type	Masterflex (7019-20) with either: 1. Cold Rolled Steel Rotor Option (A46SPP0000) 2. Stainless Steel Rotor Option (A46SPP0000SS)
Operating Temperature	-25 ° C / + 50 ° C (-13 ° F / + 122 ° F)
Reduction Speed Ratio	1:20 for 67 rpm 1:40 for 33 rpm 1:60 for 22 rpm
Pump Head Flow Rate	0.86 L/m for 67 rpm 0.42 L/m for 33 rpm 0.28 L/m for 22 rpm
Peristaltic Pump Tubing Cross Section	
Peristaltic Pump Tubing Inside Diameter	9.5 mm (3/8")

ORDERING INFORMATION

Pump Variants

- A46SPP0000 - Sampling peristaltic pump. The reduction of the motor (1340 rpm) should be specified at 1:20, 1:40 or 1:60. Different flow rate available.
- A46SPP0000SS - Sampling peristaltic pump. The reduction of the motor (1340 rpm) should be specified at 1:20, 1:40 or 1:60. Different flow rate available.

Spare Parts

- A46SPP1000 - Motor 1340 rpm for sampling pump
- A46SPP1001 - Reduction for the motor (1:20)
- A46SPP1002 - Reduction for the motor (1:40)
- A46SPP1003 - Reduction for the motor (1:60)
- A46SPP1004 - Motor shaft
- A46SPP1005 - SS adapter (motor – pump head)
- A461105001 - Pump Head 7019-20
- A461105001SS - Pump Head 7019-20 with SS rotors
- 06404-73 - Norprene Tubing Size 73 (15 meters)