

## 3S-PC2000 Probe Controller

### APPLICATION FIELDS

Various applications depending on installed probes.  
Many different type of probes are available.

### ADVANTAGES / FEATURES

- **Compact design, sturdy build**

Great responsiveness in a small volume, probes deliver rapid response in a minimal amount of space.

The stainless steel enclosure makes the analyzer resistant to corrosion even in the most harsh industrial conditions.

- **Low operating costs**

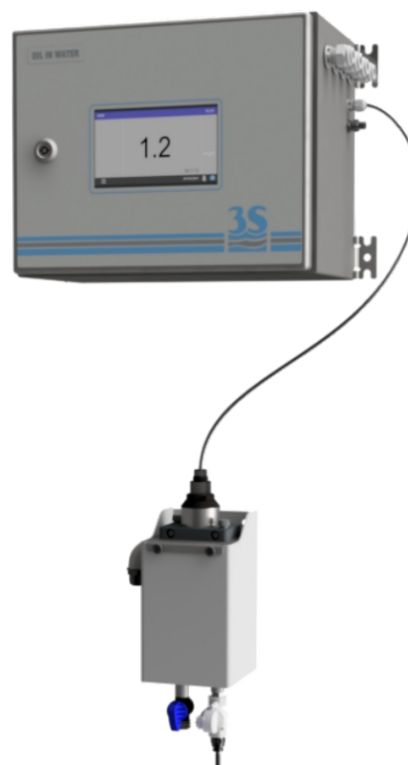
Minimum maintenance necessary: the 3S probes are equipped with automatic wiper to always keep the sensor window clean and responsive. No reagents needed.

- **Versatile, contemporaneous reading, up to four different probes**

The 3S-PC2000 can control four probes at the same time, with no extra delay. Different types of probes can be installed, covering all kind of applications.

- **Large color touchscreen**

The analyzer is equipped with a graphical touchscreen interface showing measured values and status information. Easy access to menus and functions. Integrated datalogger with USB download.



- **Easy to install, zero configuration**

The 3S-PC2000 can be quickly installed on a wall or inside a protective cabinet, together with the appropriate probe holder.

Installing new probes is as easy as attaching the connector to its socket. Probes are automatically recognized, no configuration required.

- **Many different probes and accessories**

All 3S probes are compatible with the controller. Many different parameters are available.

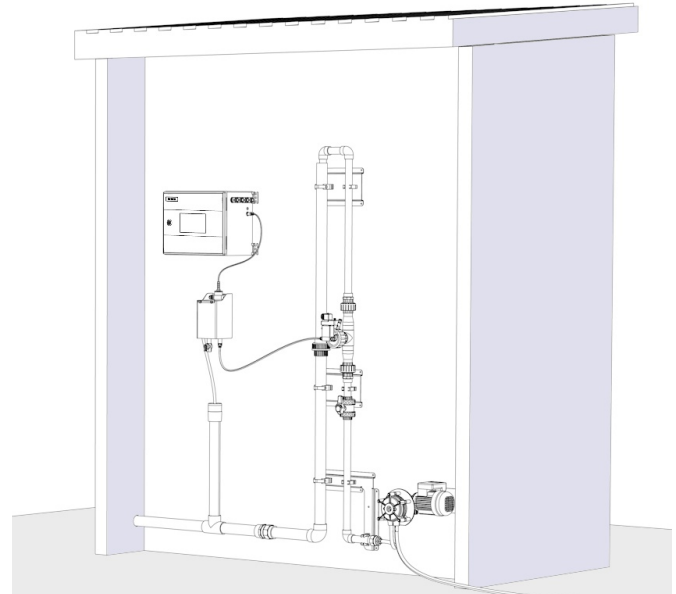
The system is completed with a series of accessories, from protective shelters to dedicated probe holder.

See relative documentation to discover more.

## TECHNICAL SPECIFICATIONS

Measure principle	Various sensors available: hydrocarbons/oil-in-water, PAH/ PAC, COD, turbidity, chlorophyll, and others.
Number of channels (probes)	4
Analysis frequency	Continuous.
Power supply	110-230 VAC, 50/60 Hz, 80 VA
Temperature	5 - 45°C (41 - 113 °F)
Humidity	Max 85% RH
Case	Epoxy-coated stainless steel
Protection grade	IP65 (indoor only)
Mounting	Wall or rack mounting, in vertical position with fixing hinges
Dimensions	300 x 380 x 210 mm (11.8 x 14.8 x 8.3 in)
Weight	Approx. 10 Kg (22 lbs)
Output signals	Analog: 4 x 4-20 mA outputs Digital: ModBUS via Ethernet
Alarms	n. 6 NO relays for fault conditions and measure alarm
Datalogger	Integrated, with USB storage and download

## INSTALLATION EXAMPLE

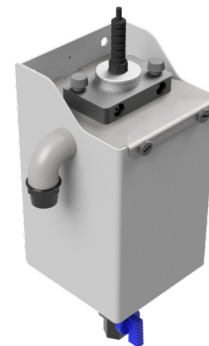


The analyzer is easily installed in a minimum amount of wall space.

In the picture are included the optional accessories:

- a) A46SF10020 - Filtration unit 100 micron 230 VAC (other mesh size and input voltages available)
- b) A46SPP0000 - Sampling Pump

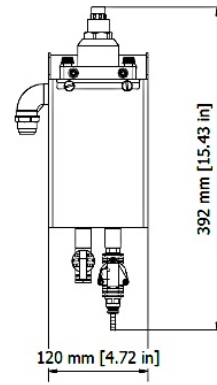
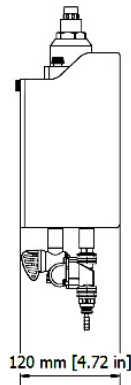
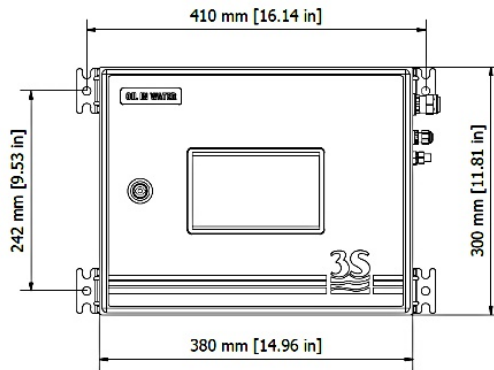
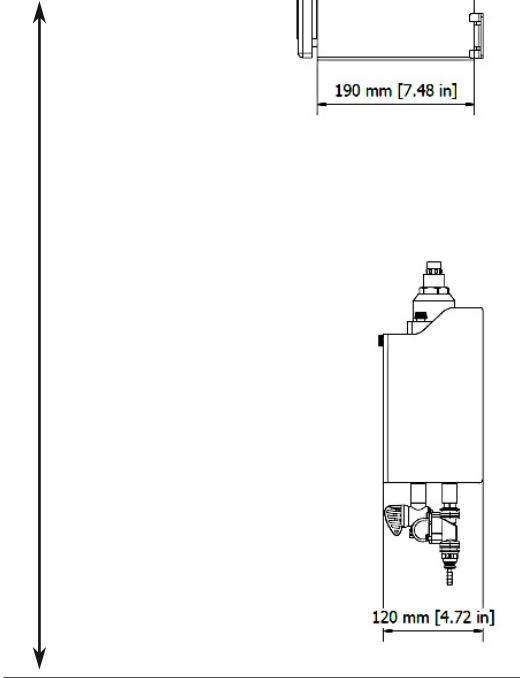
## FAST LOOP RESERVOIR WITH PROBE



The probe is installed in the provided Fast Loop sample reservoir, protected from external light and easily accessible for cleaning and maintenance.

## TECHNICAL DRAWINGS

160 cm  
(eyes height)



## PRODUCT CODES

XXXXXXX      3S-PC2000 PROBE CONTROLLER W/COLOR TOUCHSCREEN  
A46UVSH      SUN RAIN SHIELD FOR UV TRANSMITTER